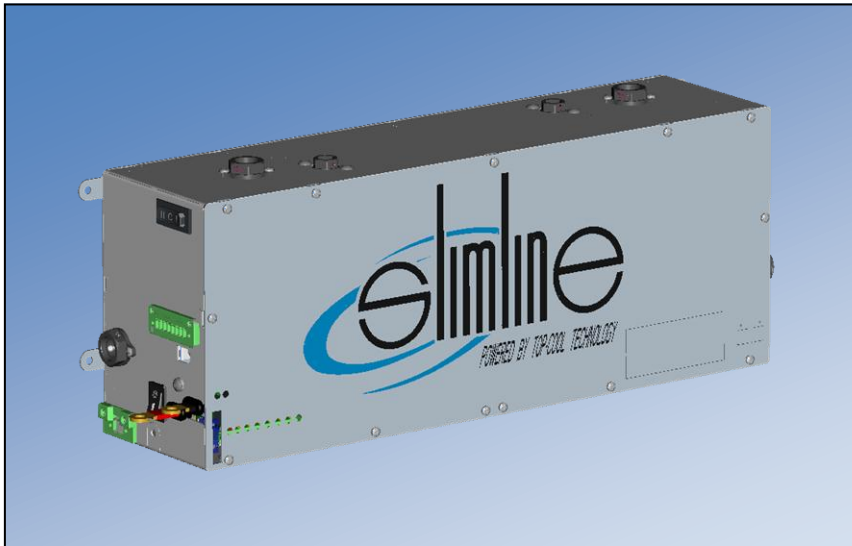


**Slimline**

**Datasheet**  
**SLW-380-9-TCT8-24 [1106091669001]**

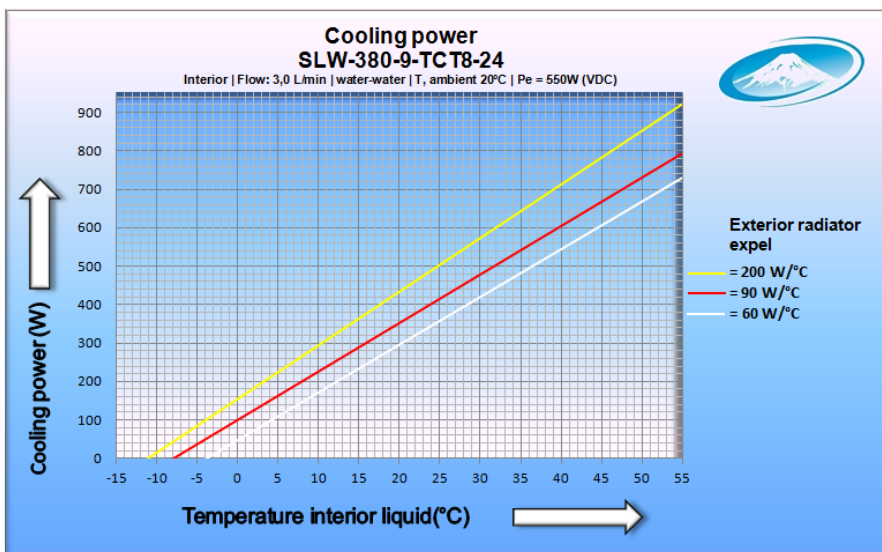
The Slimline is a multi applicable thermal system that can be used as a cooling and or heating device for many different applications. Never was integrating cooling features so easy, thanks to the plug-and-play functionality of this new modular low pressure water circulating electric cooling system with integrated liquid pumps, sensors and controllers. This advanced cooling and heating system utilises a patented Peltier technology with the use of standard TCT-units from the renowned and entrusted PowerPack-series.

**Specifications: SLW-380-9-TCT8-24 [1106091669001]**

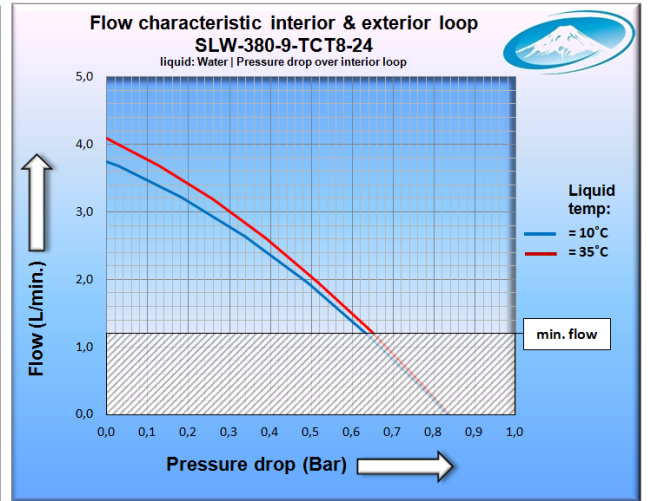
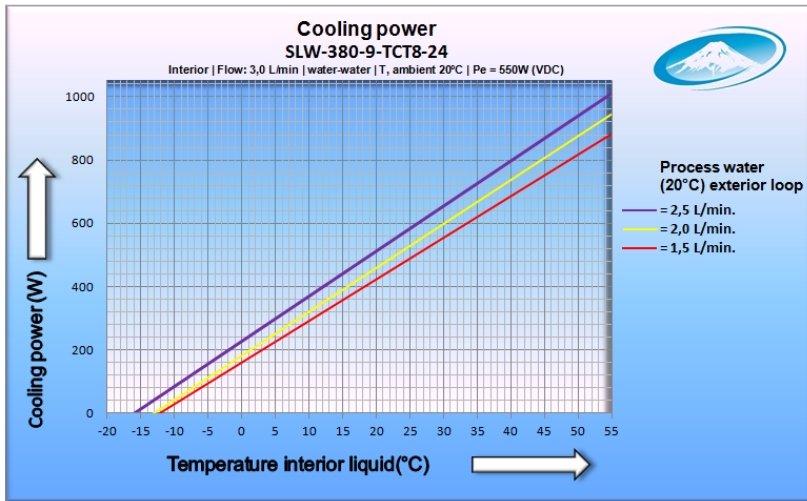


- ✓ Cooling and heating
- ✓ Active and passive cooling
- ✓ Compact and lightweight
- ✓ High performance
- ✓ Durability & Reliability
- ✓ No CFC's, No HFC's
- ✓ Water as cooling liquid
- ✓ Shock proof
- ✓ Freedom of heat expel
- ✓ Silent operating
- ✓ Accurate temperature control
- ✓ Environmental friendly
- ✓ Easy mounting
- ✓ Discretionary operating
- ✓ Stationary cooling engine
- ✓ Multi applicable
- ✓ Plug and play

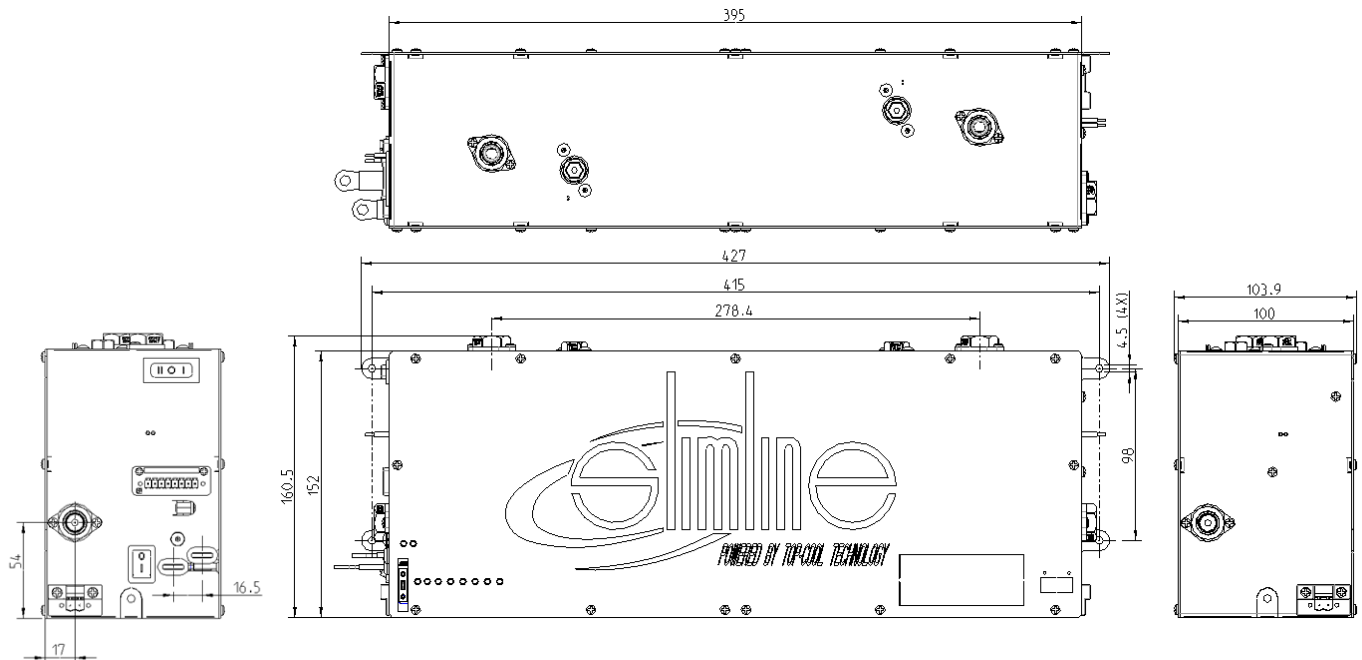
|                                       |                    |                        |
|---------------------------------------|--------------------|------------------------|
| Number of TCT-units:                  | 2                  |                        |
| Type of peltier elements:             | 24V 13A            | 2S 2S                  |
| Main connection (Electric power max.) | 24VDC 35A          |                        |
| Electric power (without fans)         | 24VDC 23A          | 550W                   |
| Main dimensions Slimline (h x w x d)  | 152 x 395 x 100 mm | 5.98 x 15.55 x 3.93 in |
| Couplings (inlet & outlet)            | 1/4" female BSP    | 4X                     |
| Weight                                | 2,9 kg (unfilled)  | 3,1 kg (filled)        |
| Max. Test pressure                    | 1,0 bar            | 14,5 PSI               |
| Cooling liquid                        | Water, MEG, MPG    |                        |
| Integrated pumps                      | 2X                 | F12H8                  |



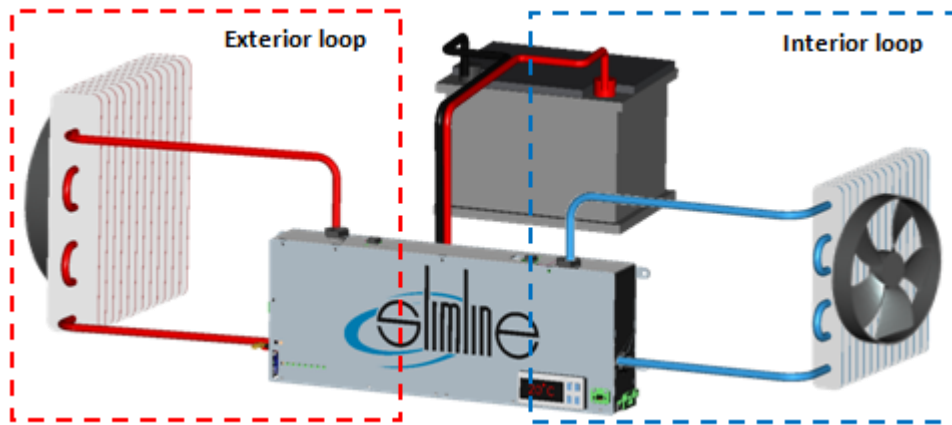
| Performance                                                              |          |        |
|--------------------------------------------------------------------------|----------|--------|
| Operating voltage                                                        | 20-30VDC |        |
| Advised operating voltage                                                | 24VDC    |        |
| Heating power                                                            | 550W     |        |
| Heating power HPE (Heat Pump Effect)                                     | 1470W    |        |
| Cooling power at T interior = T max = 55°C                               | 920W     |        |
| Cooling power at T interior = T ambient = 20°C (200 W/°C exterior expel) | 430W     |        |
| T interior minimum. (200 W/°C exterior expel)                            | - 11°C   | 12.2°F |
| T interior minimum. (90 W/°C exterior expel)                             | - 8°C    | 17.6°F |
| Noise level                                                              | <20      | dBA    |



## Dimensions



Example of a Slimline cooling system



| Installation                                             |                 |
|----------------------------------------------------------|-----------------|
| Main connection electric                                 | 24VDC           |
| Housing material                                         | Aluminium       |
| Interior reservoir content                               | 80 ml           |
| Exterior reservoir content                               | 80 ml           |
| Safety fuse                                              | 15A             |
| Control board 1, 2, 3, 4, 5 & 8                          | Signal wires    |
| Control board 6(+), 7(-)                                 | 24VDC 0,5A      |
| Fan connection interior                                  | 24VDC 5A (max.) |
| Fan connection exterior                                  | 24VDC 5A (max.) |
| Distance between mounting Lugs horizontal (wall mount)   | 415 mm          |
| Distance between mounting Lugs vertical (wall mount)     | 98 mm           |
| Distance between mounting Lugs horizontal (bottom mount) | 413 mm          |

